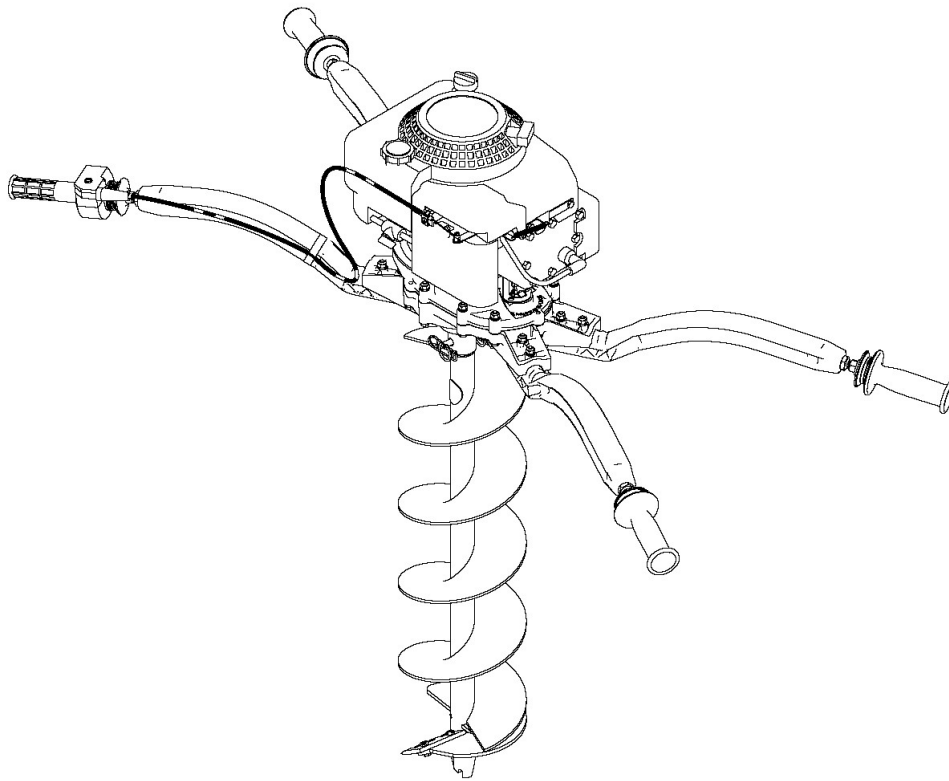
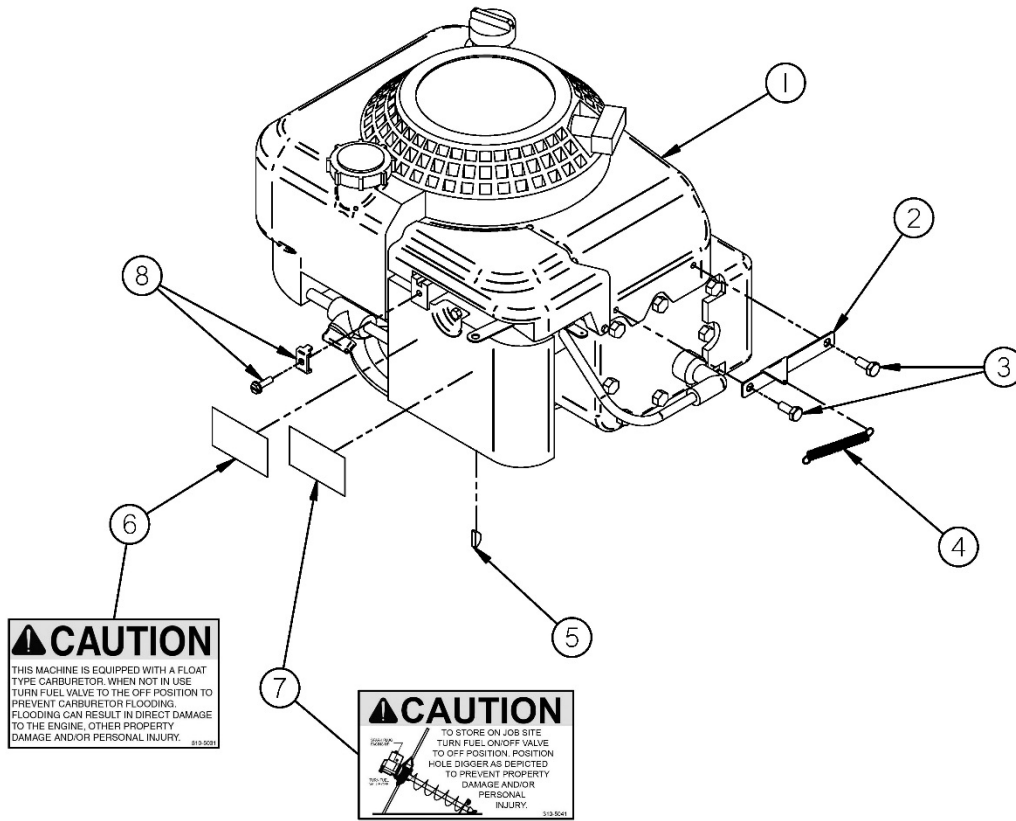


17 Replacement Parts 235 Hole Diggers

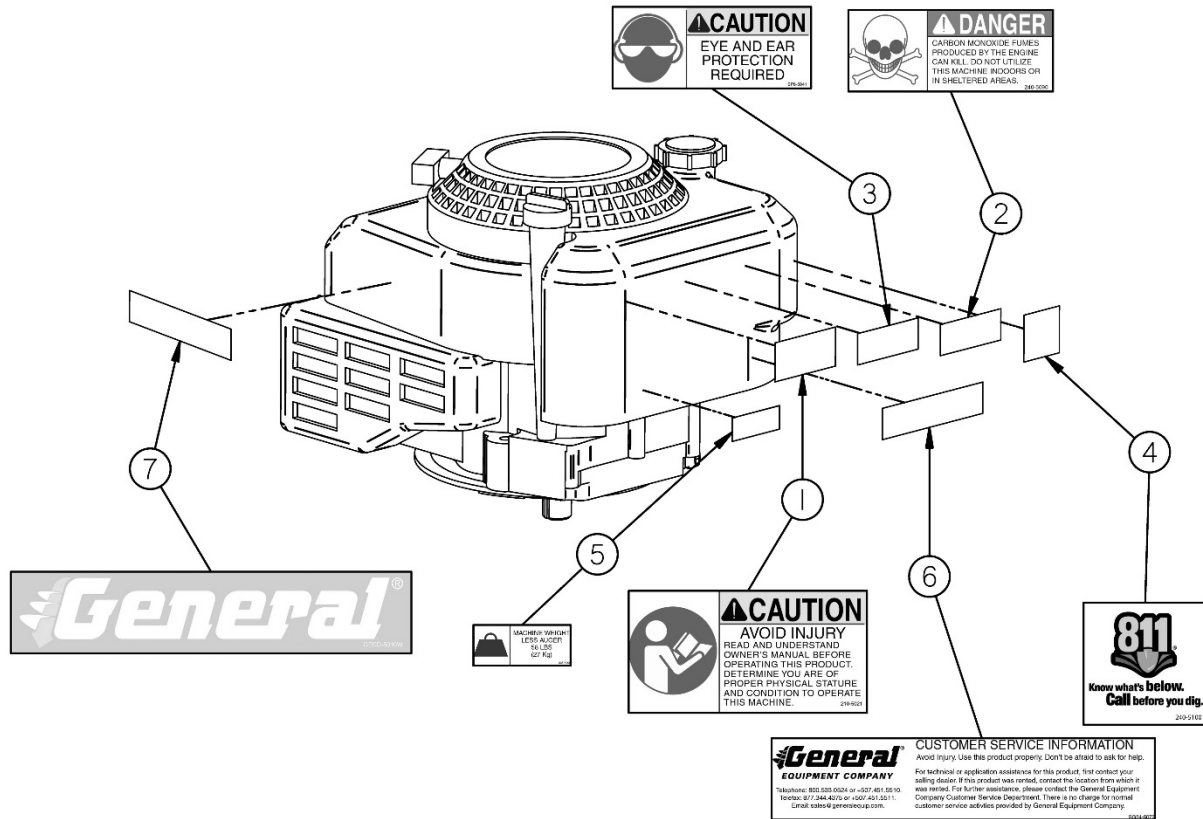


*Replacement Parts Diagram
Engine - Briggs & Stratton 675E Series
235 Hole Diggers
[Starting With Serial Number 151117]*



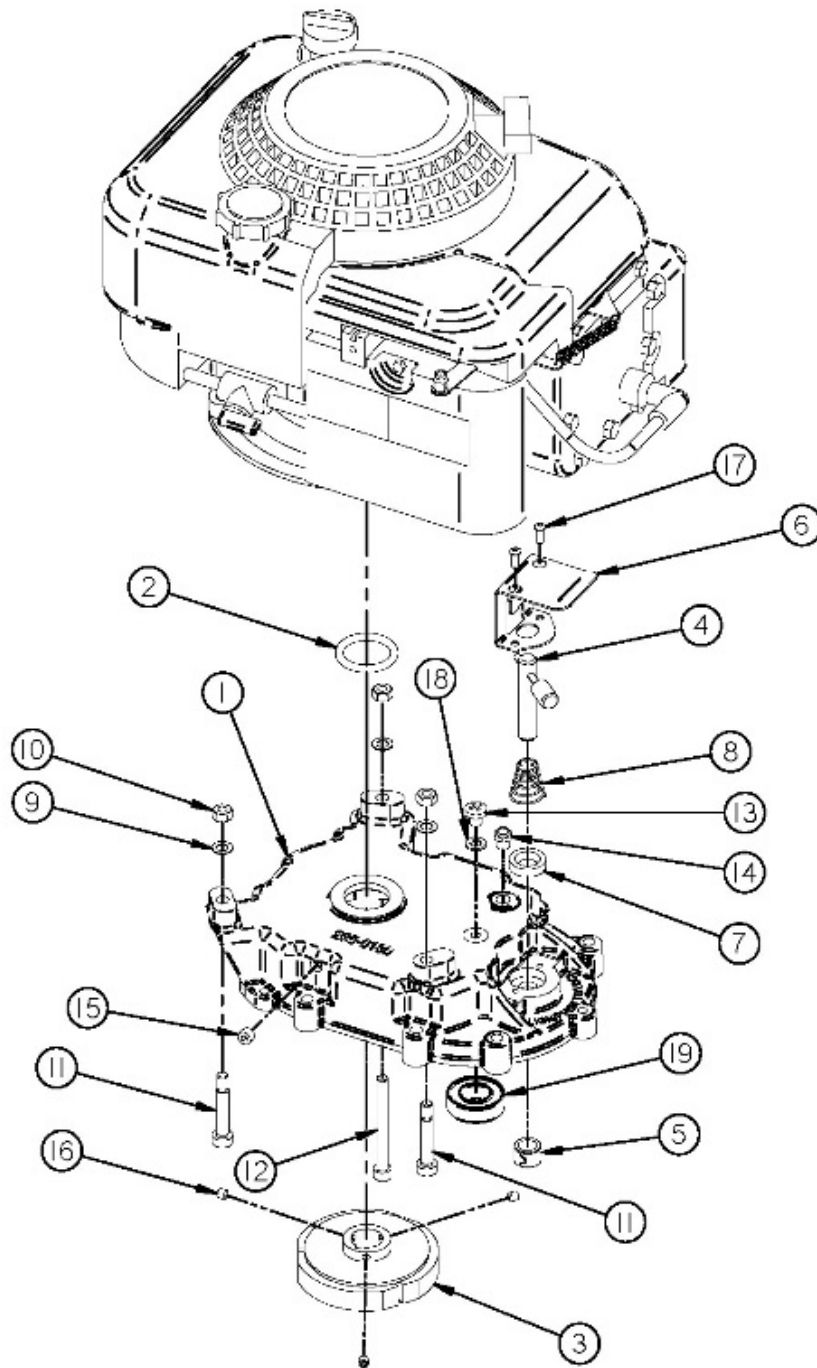
Reference Number	Part Number	Description	Quantity
1	235-0300	Engine, B&S, 190cc, US Spec.	1
1	235-0301	Engine, B&S, 190cc, EU Spec.	1
2	235-0210	Bracket, Spring	1
3	15040500	HHCS, 1/4-20 X 5/8	2
4	235-0180	Spring, Return, Throttle	1
5	505	Key, Woodruff	1
6	310-5031	Decal, Carb Off	1
7	310-5041	Decal, Caution, Storage	1
8	235-0020A	Assembly, Clamp, Cable	1

Replacement Parts Diagram Engine, Continued - Briggs & Stratton 675E Series 235 Hole Diggers [Starting With Serial Number 151117]



Reference Number	Part Number	Description	Quantity
1	210-5021	Decal, Caution, Avoid Injury	1
2	240-5090	Decal, Danger, CO	1
3	SP8-5041	Decal, Caution, Eye/Ear	1
4	240-5100	Decal, 811	1
5	235-5000	Decal, Weight	1
6	SG24-5072	Decal, Assistance	1
7	GECD-5010W	Decal, General, 1.00H X 5.25L	1

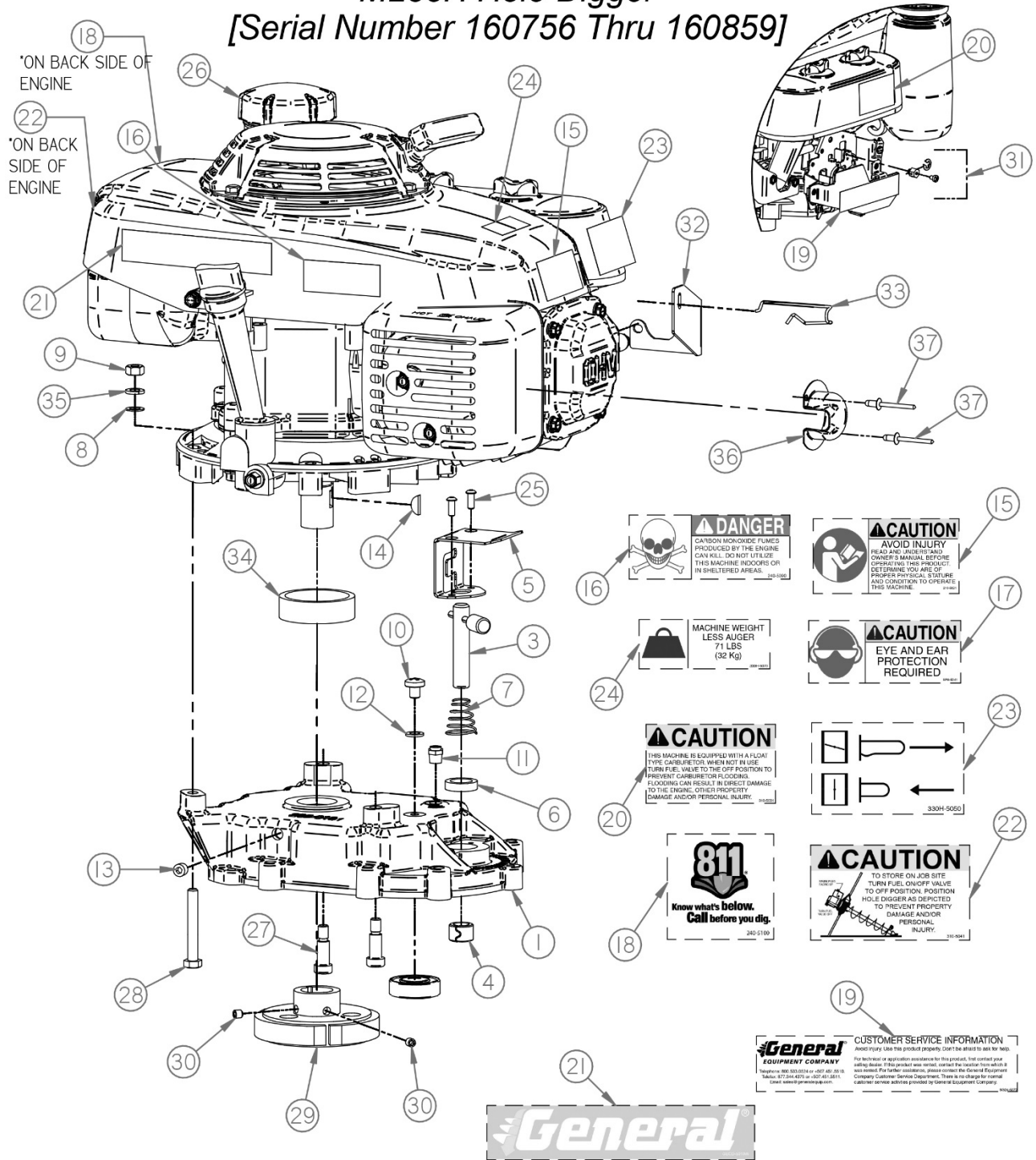
*Replacement Parts Diagram
Cover Assembly
235 Hole Digger
[Starting With Serial Number 151117]*



*Replacement Parts Diagram
Cover Assembly
235 Hole Digger
[Starting With Serial Number 151117]*

Reference Number	Part Number	Description	Quantity
1	235-0130A	Assembly, Cover, Transmission	1
2	235-0320	Ring, O-Type	1
3	235-0170	Assembly, Rotor/Shoe, Clutch	1
4	235-0220	Assembly, Lock, Transmission	1
5	235-0140	Bushing, Spring-Type	1
6	235-0230	Plate, Pin, Lock	1
7	471442	Seal, Oil	1
8	235-0110	Spring, Pin, Lock	1
9	AN-960-516L	Washer, Flat, Light, 5/16, ZY	3
10	18050000	Nut, Hexagon, 5/16-18 UNC, ZY	3
11	235-0050	Bolt, Shoulder, .344 X 2, ZY	2
12	60052400	SHCS, 5/16-18 UNC X 3, ZY	1
13	37050300	PHMS, 5/16-18 UNC X 3/8, ZY	1
14	5677	Valve, Relief	1
15	74020201	Plug, PTF, 1/8-27, Flush	1
16	31040201	Screw, Set, 1/4-28 X 1/4, PF	3
17	55030400	BHSCS, #10-24 UNC X 1/2, ZY	2
18	330H-0200	Washer, Nylon	1
19	6203-2RS-12	Bearing, Ball	1

Replacement Parts Diagram Cover Assembly M235H Hole Digger [Serial Number 160756 Thru 160859]



⚠ DANGER
CARBON MONOXIDE FUMES
PRODUCED BY THE ENGINE
CAN KILL. DO NOT UTILIZE
THIS MACHINE INDOORS OR
IN SHELTERED AREAS. 240-1500

⚠ CAUTION
AVOID INJURY
READ AND UNDERSTAND
OWNER'S MANUAL BEFORE
OPERATING THIS PRODUCT.
DETERMINE YOU ARE OF
PROPER PHYSICAL STATURE
AND CONDITION TO OPERATE
THIS MACHINE. 11-000

**MACHINE WEIGHT
LESS AUGER
71 LBS
(32 Kg)**

⚠ CAUTION
EYE AND EAR
PROTECTION
REQUIRED. 15

⚠ CAUTION
THIS MACHINE IS EQUIPPED WITH A FLOAT
TYPE CARBURETOR. WHEN NOT IN USE,
TURN FUEL VALVE TO THE OFF POSITION TO
PREVENT CARBURETOR FLOODING.
FLOODING CAN RESULT IN SERIOUS DAMAGE
TO THE ENGINE, OTHER PROPERTY
DAMAGE AND/OR PERSONAL INJURY. 240-1500

330H-5050

811
Know what's below.
Call before you dig. 240-5100

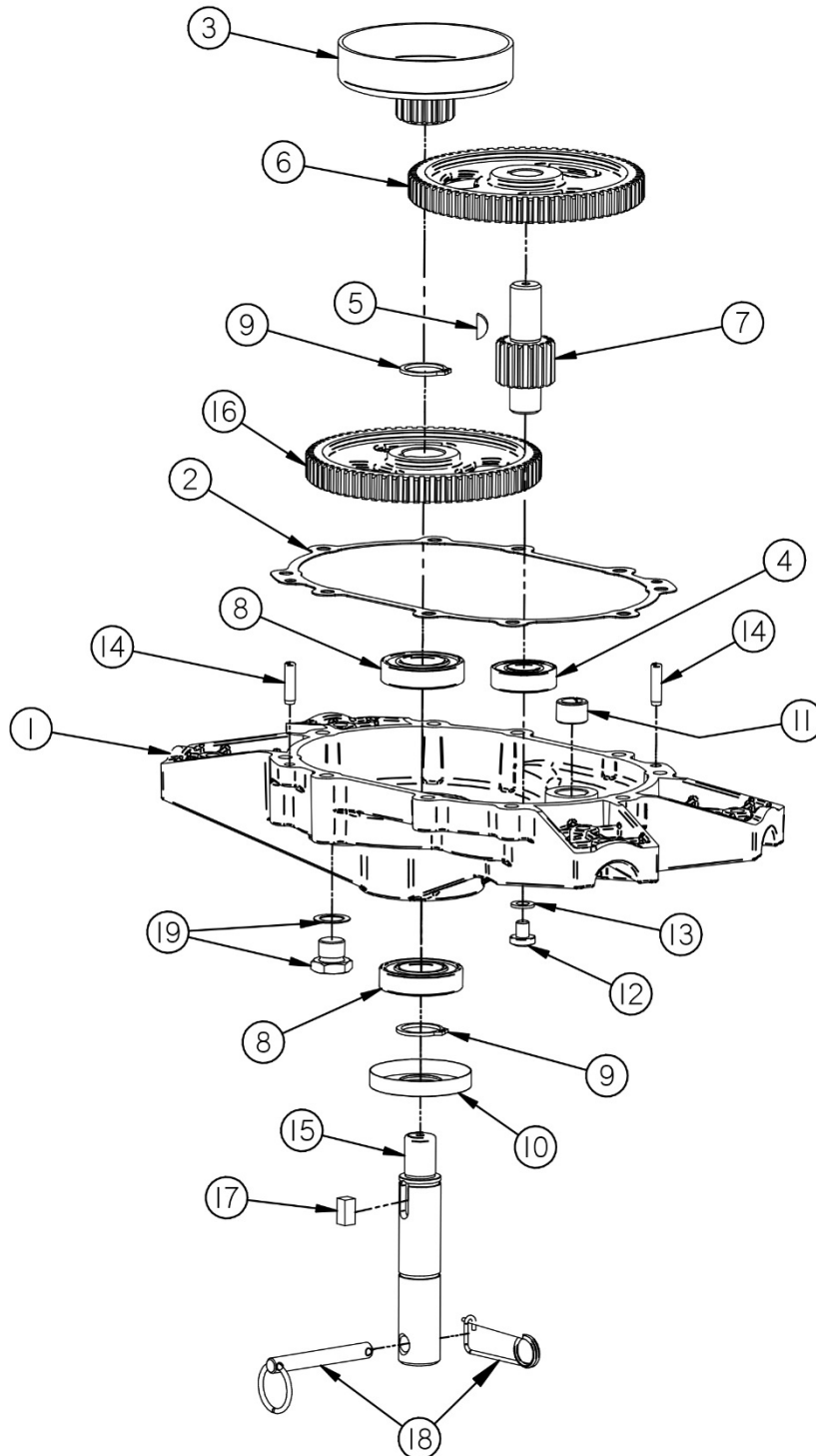
⚠ CAUTION
TO STORE ON JOB SITE
TURN FUEL ON/OFF VALVE
TO OFF POSITION. POSITION
HOLE DIGGER AS DEPICTED
TO PREVENT PROPERTY
DAMAGE AND/OR
PERSONAL INJURY. 310-0041

General
EQUIPMENT COMPANY
For technical or application assistance for this product, first contact your
selling dealer. If no dealer was used, contact the nearest General Equipment
Company Customer Service Department. There is no charge for general
customer service advice provided by General Equipment Company.

*Replacement Parts Diagram
Cover Assembly
M235H Hole Digger
[Serial Number 160756 Thru 160859]*

Reference Number	Part Number	Description	Quantity
1	235-0131A	Assembly, Cover, Transmission, (Includes Ref. 2 & 4)	1
2	6203-2RS-12	Bearing, Ball	1
3	235-0220	Assembly, Lock, Transmission	1
4	235-0140	Bushing, Spring-Type	1
5	235-0230	Plate, Pin, Lock	1
6	471442	Seal, Oil	1
7	235-0110	Spring, Pin, Lock	1
8	AN-960-516L	Washer, Flat, 5/16, ZY	1
9	18050000	Nut, Hex, 5/16-18, ZY	1
10	37050300	PHMS, 5/16-18 X 3/8, ZY	1
11	5677	Valve, Relief	1
12	330H-0200	Washer, Nylon	1
13	74020201	Plug, PTF, 1/8-27	1
14	6	Key, Woodruff, 5/32 X 5/8	1
15	210-5021	Decal, Caution, Avoid Injury	1
16	240-5090	Decal, Danger	1
17	SP8-5041	Decal, Caution, Eye/Ear	1
18	240-5100	Decal, 811	1
19	SG24-5072	Decal, Assistance	1
20	310-5031	Decal, Carb Off	1
21	GECD-5010W	Decal, General, 1.00H X 5.25L	1
22	310-5041	Decal, Caution, Storage	1
23	330H-5050	Decal, Choke	1
24	235-5010	Decal, Weight	1
25	55030400	BHSCS, #10-24 X 1/2, ZY	2
26	GXV160UH2N5AH-BLK	Engine, Honda, GXV160	1
27	62060601	Bolt, Shoulder, 3/8 X 3/4	2
28	15051800	HHCS, 5/16-18 X 2-1/4, ZY	1
29	330H-0175	Assembly, Rotor/Shoe, Clutch, (Includes Ref. 30)	1
30	31040201	Screw, Set, 1/4-28 X 1/4, PF	2
31	330-0320	Assembly, Swivel	1
32	17954-ZG9-U80	Bracket, Choke	1
33	16611-ZG9-U80	Rod, Choke	1
34	235-0322	Gasket, Crankshaft	1
35	16050000	Washer, Lock, 5/16, ZY	1
36	330H-0040	Deflector, Exhaust, GXV160	1
37	46030100	Rivet, Pop, 3/16 X 1/8, SS	2

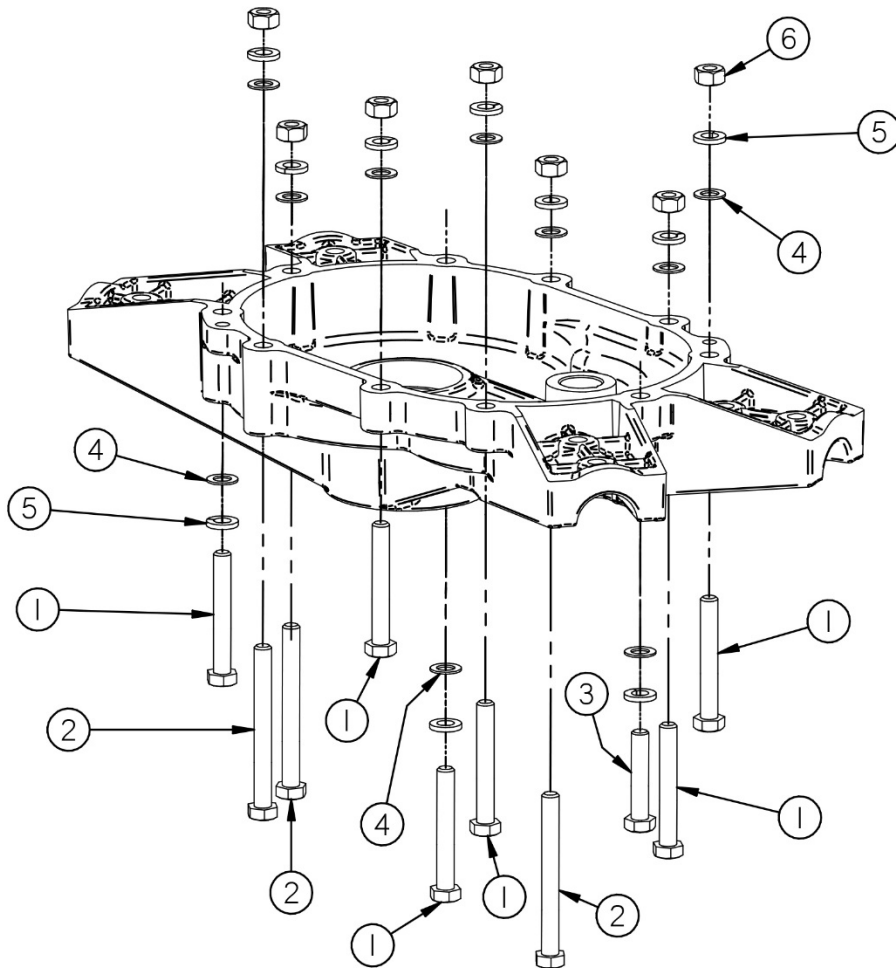
*Replacement Parts Diagram
Case Assembly
M235 Hole Digger
[Beginning With Serial Number 151117]*



*Replacement Parts Diagram
Case Assembly
M235 Hole Digger
[Beginning With Serial Number 151117]*

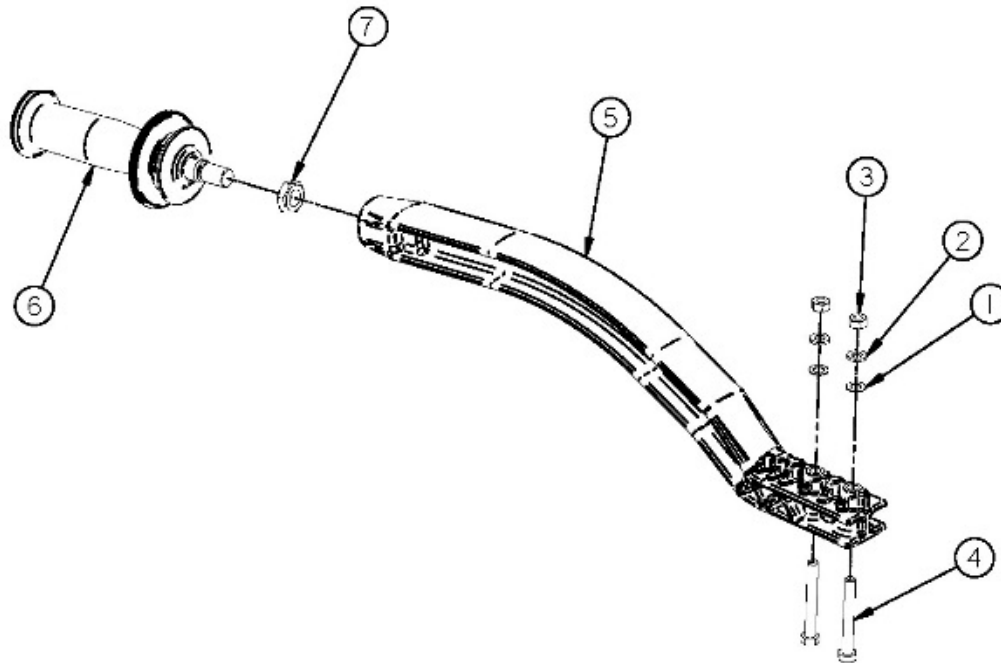
Reference Number	Part Number	Description	Quantity
1	235-0120A	Assembly, Case, Transmission, (Includes Ref. 4, 8 & 11)	1
2	235-0100	Gasket, Transmission	1
3	3516	Drum, Clutch, W/Pinion	1
4	6203-2RS-12	Bearing, Ball	1
5	6	Key, Woodruff, 5/32 X 5/8	1
6	235-0340	Gear, Primary	1
7	235-0310	Gear, Pinion, Secondary	1
8	99R16	Bearing, Ball	2
9	5160-98	Ring, Snap	2
10	471516	Seal, Oil	1
11	235-0140	Bushing, Spring-Type	1
12	37050300	PHMS, 5/16-18 X 3/8, ZY	1
13	330H-0200	Washer, Nylon	1
14	51040800	Pin, Dowel, 1/4 X 1	2
15	235-0330	Shaft, Drive, 1D	1
16	235-0350	Gear, Secondary	1
17	63050500	Key, Square, 5/16 X 5/8, PF	1
18	2121	Pin, Auger, .375D	1
19	50100800A	Plug, Drain, Oil, W/Gasket	1

*Replacement Parts Diagram
Case Assembly, Continued
Fastener Requirements
M235 Hole Digger
[Beginning With Serial Number 151117]*



Reference Number	Part Number	Description	Quantity
1	15051800	HHCS, 5/16-18 X 2-1/4, ZY	6
2	15052400	HHCS, 5/16-18 X 3, ZY	3
3	15051300	HHCS, 5/16-18 X 1-5/8, ZY	1
4	AN-960-516L	Washer, Flat, 5/16, ZY	10
5	16050000	Washer, Lock, 5/16, ZY	10
6	18050000	Nut, Hex, 5/16-18, ZY	7

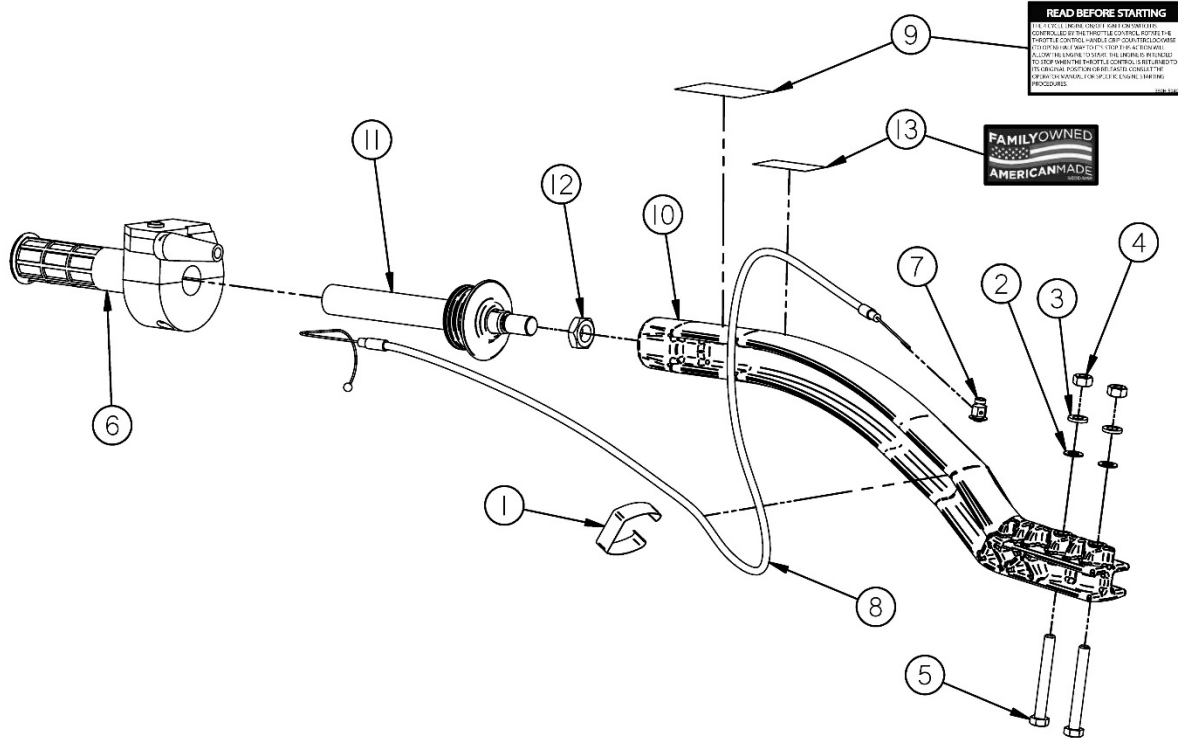
*Replacement Parts Diagram
235-0092 Operator Handle
Three Assemblies Per Machine
[Starting With Serial Number 151117]*



Reference Number	Part Number	Description	Quantity
1	AN-960-516L	Washer, Flat, Light, 5/16, ZY	2
2	16050000	Washer, Lock, 5/16, ZY	2
3	18050000	Nut, Hexagon, 5/16-18 UNC, ZY	2
4	15052000	HHCS, 5/16-18 X 2-1/2, G5, ZY	2
5	235-0092-010	Handle, Operator	1
6	235-0092-020	Grip, Handle	1
7	40090001	Nut, Jam, Hex, 9/16-18 UNF, ZY	1

Note: Part Number 235-0092 includes items 5, 6, and 7.

*Replacement Parts Diagram
235-0093 Throttle Control Handle
One Assembly Per Machine
[Starting With Serial Number 151117]*



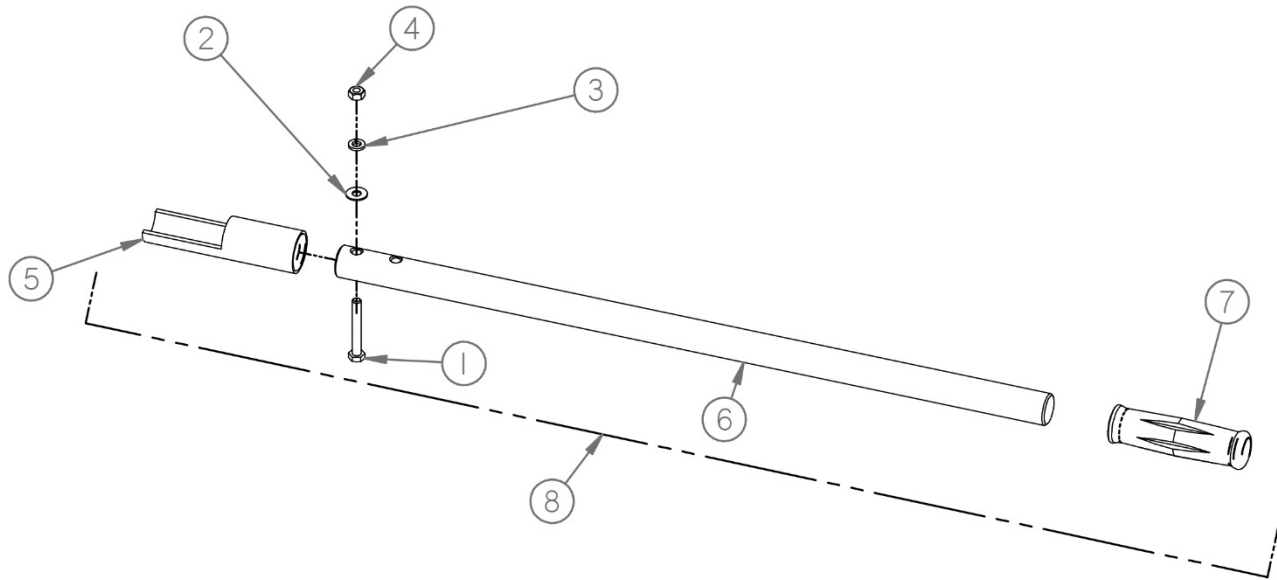
READ BEFORE STARTING
THIS DECAL IS NOT TO BE USED ON ANY OTHER EQUIPMENT. THE THROTTLE CONTROL HANDLE AND OPERATOR CONTROL HANDLE ARE IDENTICAL TO THE THROTTLE CONTROL HANDLE AND OPERATOR CONTROL HANDLE. TO OBTAIN PARTS INFORMATION, CONTACT THE GENERAL EQUIPMENT COMPANY. FOR SPECIFIC ENGINE PARTS INFORMATION, SEE THE OPERATOR MANUAL FOR SPECIFIC ENGINE PARTS INFORMATION.



Reference Number	Part Number	Description	Quantity
1	235-0010	Spring, Clip	1
2	AN-960-516L	Washer, Flat, Light, 5/16, ZY	2
3	16050000	Washer, Lock, 5/16, ZY	2
4	18050000	Nut, Hexagon, 5/16-18 UNC, ZY	2
5	15052000	HHCS, 5/16-18 X 2-1/2, G5, ZY	2
6	310-0030	Assembly, Control, Throttle	1
7	330-0320	Assembly, Swivel	1
8	310-0081	Assembly, Cable, Throttle	1
9	330H-5040	Decal, Ignition	1
10	235-0093-010	Handle, Operator, Throttle	1
11	235-0093-020	Handle, Sub, Throttle	1
12	40090001	Nut, Jam, Hex, 9/16-18 UNF, ZY	1
13	GECD-5050	Decal, Family Owned, American	1

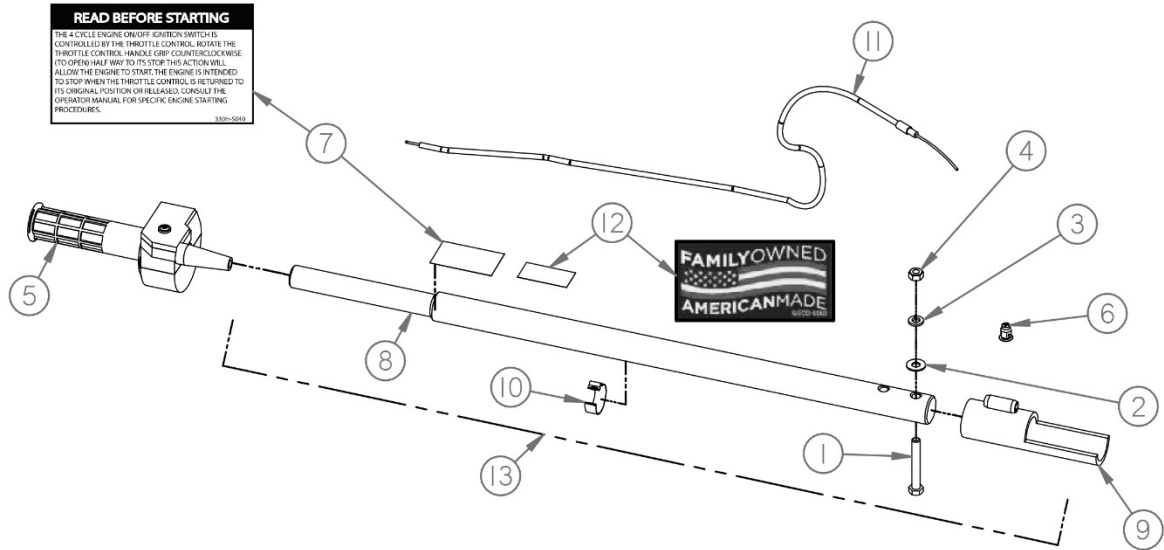
Note: Part number 235-0093 includes items 9, 10, 11, 12, and 13.

Replacement Parts Diagram Operator Handle Assembly M235 Hole Digger



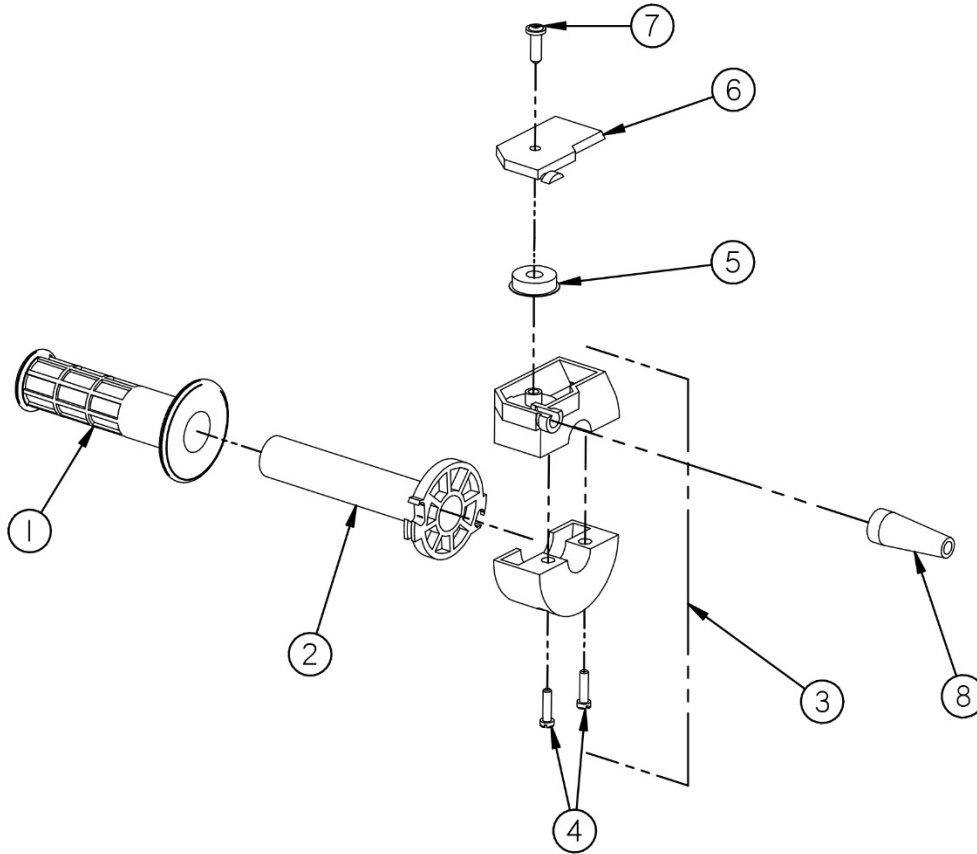
Reference Number	Part Number	Description	Quantity
1	15051800	HHCS, 5/16-18 X 2-1/4, ZY	2
2	17040000	Washer, Flat, 1/4, ZY	2
3	16050000	Washer, Lock, 5/16, ZY	2
4	18050000	Nut, Hex, 5/16-18, ZY	2
5	310-0013	Brace, Handle, Operator	1
6	310-0093	Handle, Operator	1
7	330-0070	Grip, Handle	1
8	310-0093-A	Assembly, Handle, Operator, (Includes Reference 5, 6 & 7)	

Replacement Parts Diagram Throttle Handle Assembly M235 Hole Digger



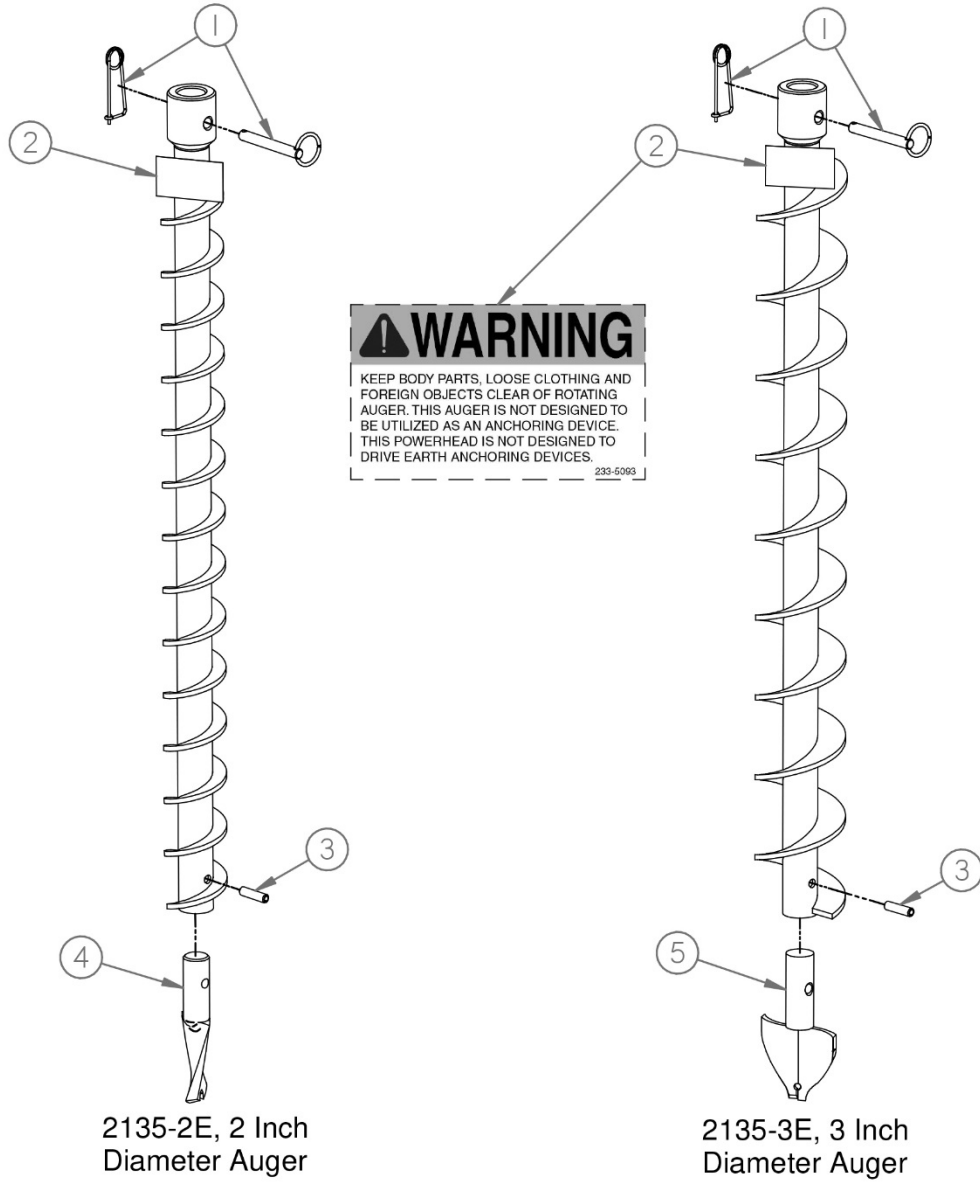
Reference Number	Part Number	Description	Quantity
1	15051800	HHCS, 5/16-18 X 2-1/4, ZY	2
2	17040000	Washer, Flat, 1/4, ZY	2
3	16050000	Washer, Lock, 5/16, ZY	2
4	18050000	Nut, Hex, 5/16-18, ZY	2
5	310-0030	Assembly, Control, Throttle	1
6	330-0320	Assembly, Swivel, (Engine Mounted)	1
7	330H-5040	Decal, Ignition	1
8	310-0091	Handle, Throttle	1
9	310-0012	Brace, Handle, Throttle	1
10	CC-1	Clip, Cable, Throttle	1
11	310-0081	Assembly, Cable, Throttle	1
12	GECD-5050	Decal, Family Owned, American	1
13	310-0091-A	Assembly, Handle, Throttle, (Includes Ref. 7, 8, 9 & 12)	

*Replacement Parts Diagram
 PN: 310-0030 Throttle Control Assembly
 For Use With
 M235 Hole Digger*



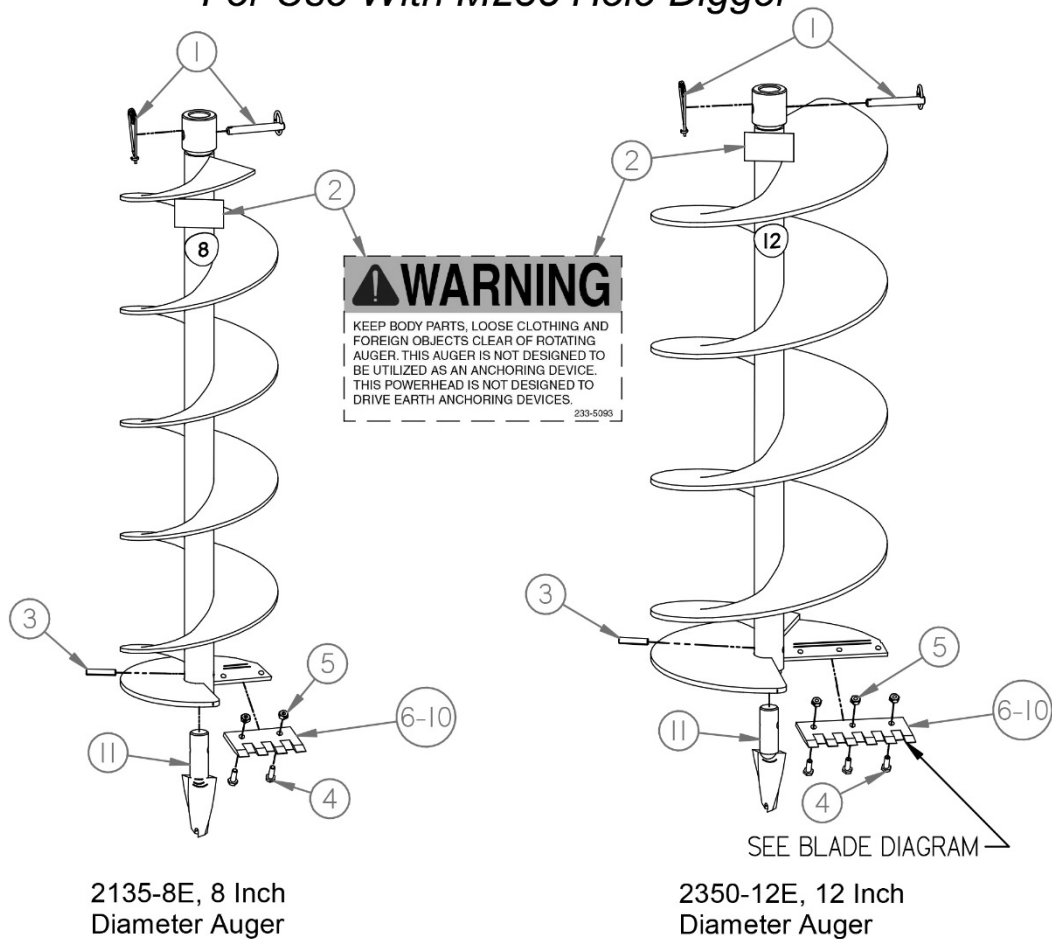
Reference Number	Part Number	Description	Quantity
1	310-0020-030	Grip, Throttle	1
2	310-0030-020-A	Tube, Throttle, W/Grip, (Includes Reference 1)	1
3	310-0030-010-A	Assembly, Body, W/Screws, (Includes Reference 4)	1
4	310-0030-040	Screw, Cheesehead, M5-.8 X 20	2
5	310-0030-070	Sheave, Roller	1
6	310-0030-060	Cover, Top	1
7	310-0030-050	Screw, Self-Tapping	1
8	310-0020-080	Boot, Rubber	1

Replacement Parts Diagram 2135 Series Augers (2 Thru 3 Inch Diameter) 1 Inch Round Drive Connection For Use With M235 Hole Digger



Reference Number	Part Number	Description	Quantity
1	2121	Pin, Auger, .375D	1
2	233-5093	Decal, Caution, Clear Rotating	1
3	20051000	Pin, Roll, 5/16 X 1-1/4	1
4	P801	Bit, Screw, Auger	1
5	P302	Bit, Screw, Auger	1

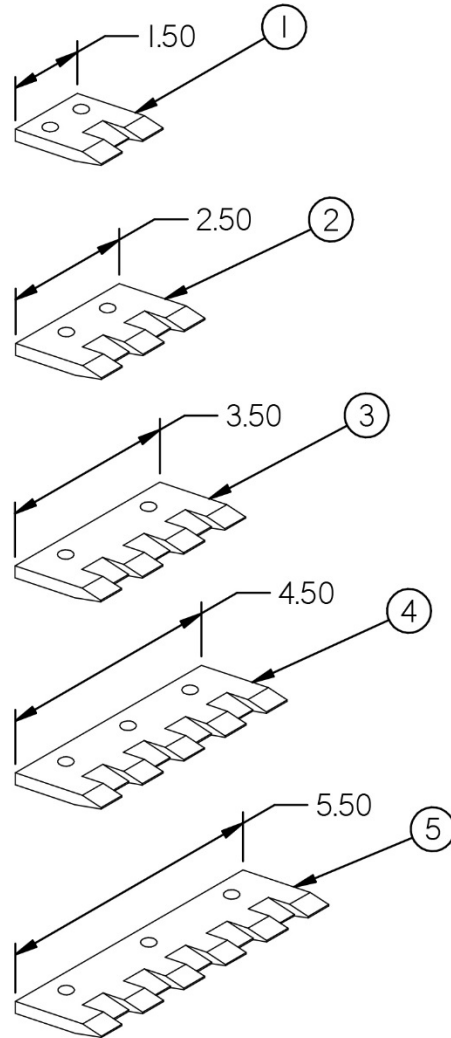
Replacement Parts Diagram 2135 Series Augers (4 Thru 12 Inch Diameter) 1 Inch Round Drive Connection For Use With M235 Hole Digger



Reference Number	Part Number	Description	Quantity
1	2121	Pin, Auger, .375D	1
2	233-5093	Decal, Caution, Clear Rotating	1
3	20051200	Pin, Roll, 5/16 X 1-1/2	1
4	15040600	HHCS, 1/4-20 X 3/4, ZY	2*
5	52040000	Nut, Lock, 2-Way, 1/4-20, ZY	2*
6	E244	Blade, Earth, 4D	1
7	E246	Blade, Earth, 6D	1
8	E248	Blade, Earth, 8D	1
9	E310	Blade, Earth, 10D	1
10	E512	Blade, Earth, 12D	1
11	P801	Bit, Screw, Auger	1

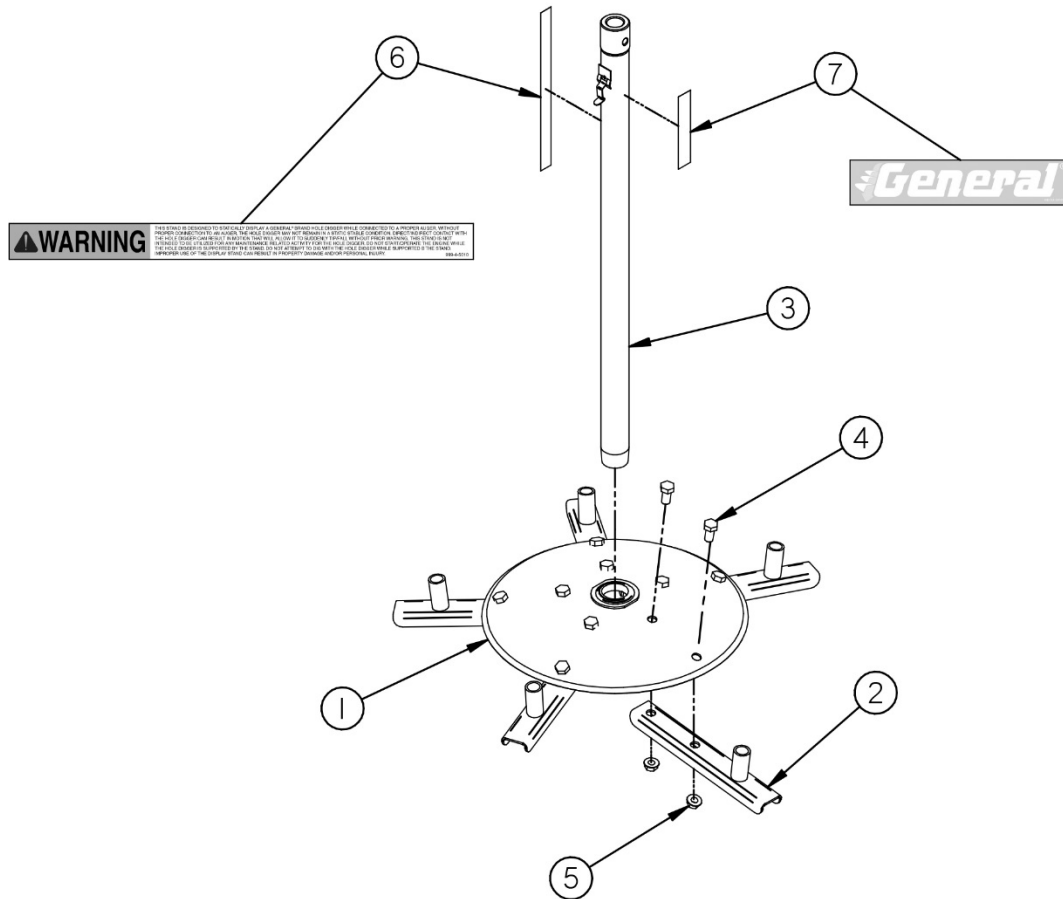
* Denotes a required quantity of 3 for PN: 2350-10E and 2350-12E Augers

Replacement Blade Diagram For Use With 2135 And 2350 Series Earth Augers



Reference Number	Part Number	Description	Application
1	E244	Blade, Earth, 4D	2135-4E
2	E246	Blade, Earth, 6D	2135-6E
3	E248	Blade, Earth, 8D	2135-8E
4	E310	Blade, Earth, 10D	2350-10E
5	E512	Blade, Earth, 12D	2350-12E

Replacement Parts Diagram PN: 999-350 Display Stand For Use With M235 Hole Digger



Reference Number	Part Number	Description	Quantity
1	999-350-0010	Weldment, Base	1
2	999-350-0020	Leg, Support, Auger	5
3	999-350-0030	Tube, Center	1
4	15080800	HHCS, 1/2-13 X 1, ZY	10
5	86080000	Nut, Hex, Flange, 1/2-13, ZY	10
6	999-4-5010	Decal, Warning, Stand	1
7	GECD-5010W	Decal, General, 1.00H X 5.25L	1